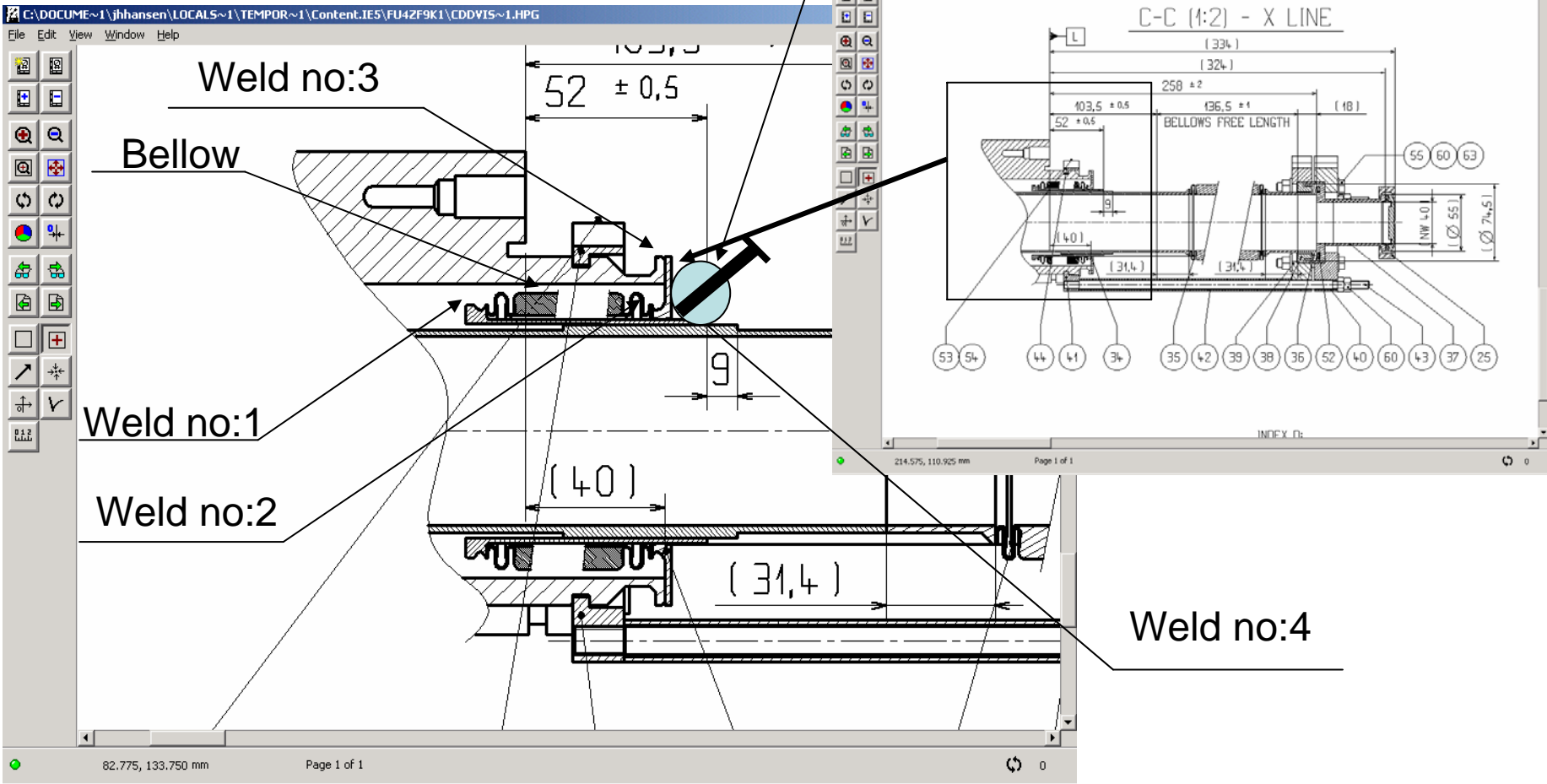
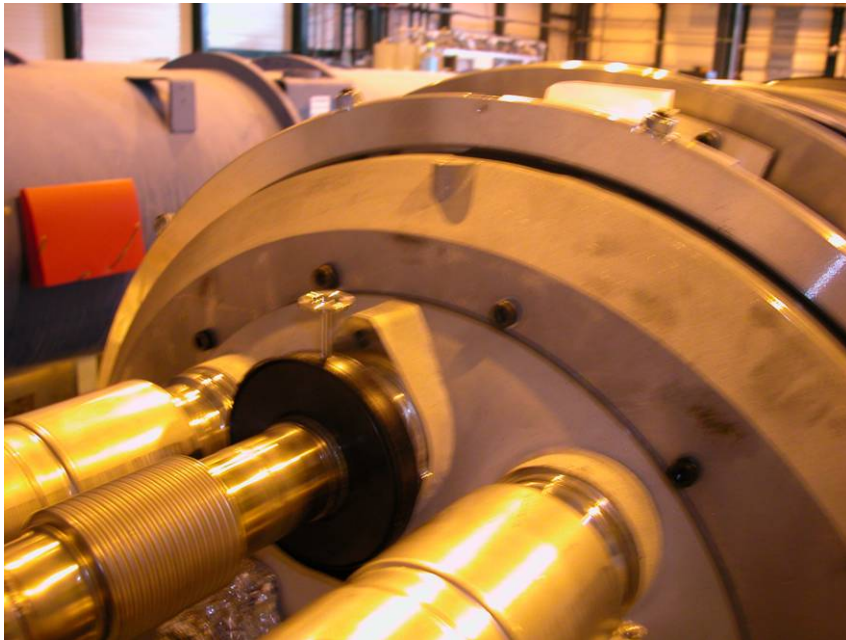


# Leak detection tools for the X-LINE

## O-ring with leak detection flange



# Leak detection tools for the X-LINE



# Leak detection tools for the X-LINE

